



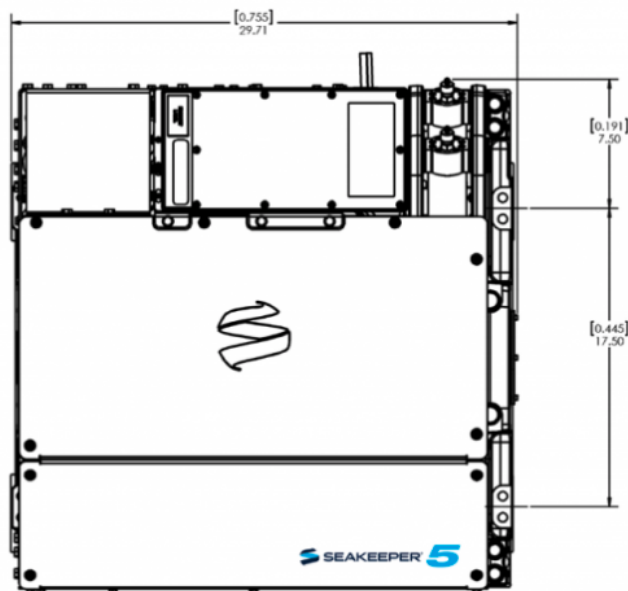
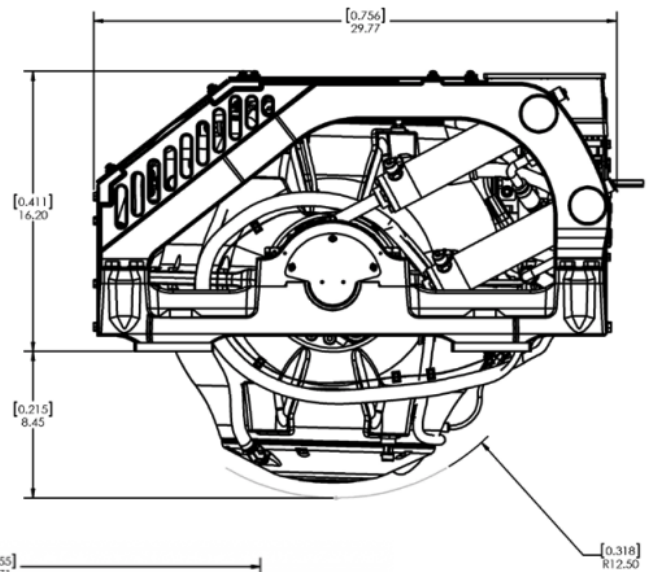
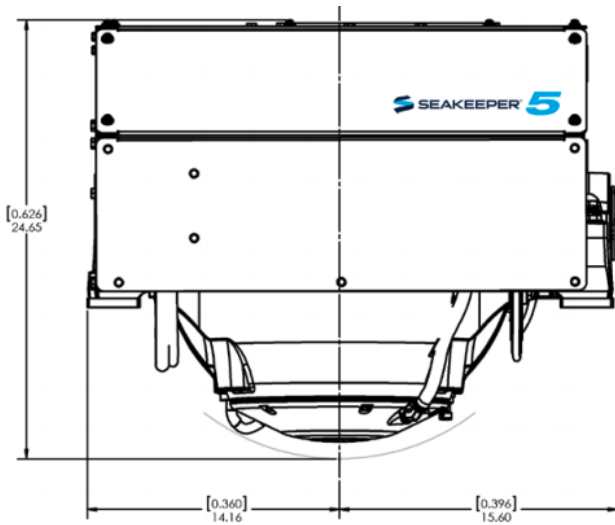
TECHNICAL SPECIFICATIONS

Max Rated Speed	8,100 RPM
Angular Momentum at Max Rated RPM	5,000 N-M-S
Anti-Rolling Torque at Max Rated RPM	13,075 N-M
Spool-up Time to Max Rated RPM	27 minutes (8,100 RPM)
Spool-up Time to Stabilization	20 minutes (6,885 RPM)
Power Consumption	
Spool-Up Power	2300 Watts Max
Operating Power	1050 - 2300 Watts (Sea State Dependent)
AC Power Input	110 or 220 VAC, 50/60 Hz
Control Power	125 Watts
Control Power Input	12 VDC @ 10 Amps
Seawater Pump Power Input Over Current Protection based on installed pump rating	12 VDC @ 15 Amps Max
Weight	870 lbs (395 kg)
Envelope Dimensions	29.8 L x 29.7 W x 24.7 H (inches) 0.756 L x 0.755 W x 0.626 H (meters)
Noise Output	At full operating RPM, steady state noise measured in the factory at a 1 meter distance measures 70 - 75 dBC. (Sound levels may be higher during spool-up)
Seawater Supply to Heat Exchanger	30 LPM (8 GPM) maximum 9.5 LPM (2.5 GPM) minimum
Ambient Air Temperature	0° - 60° C (32° - 140° F)

Marine Service Asia offers the details of this device in good faith but cannot guarantee or warrant the accuracy of this information nor warrant the condition of the device.



DRAWINGS



Marine Service Asia offers the details of this device in good faith but cannot guarantee or warrant the accuracy of this information nor warrant the condition of the device.